

Ribs that want a heart

This floating, skeletal structure is conceived of as a set of ribs and incomplete as such. We have designed the ribs but it remains for local populations to stretch a skin over them. We hope that by divining a use for the ribs we have designed, local communities will give those ribs a heart.

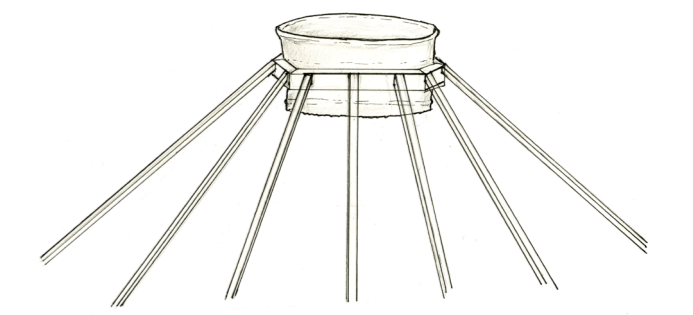
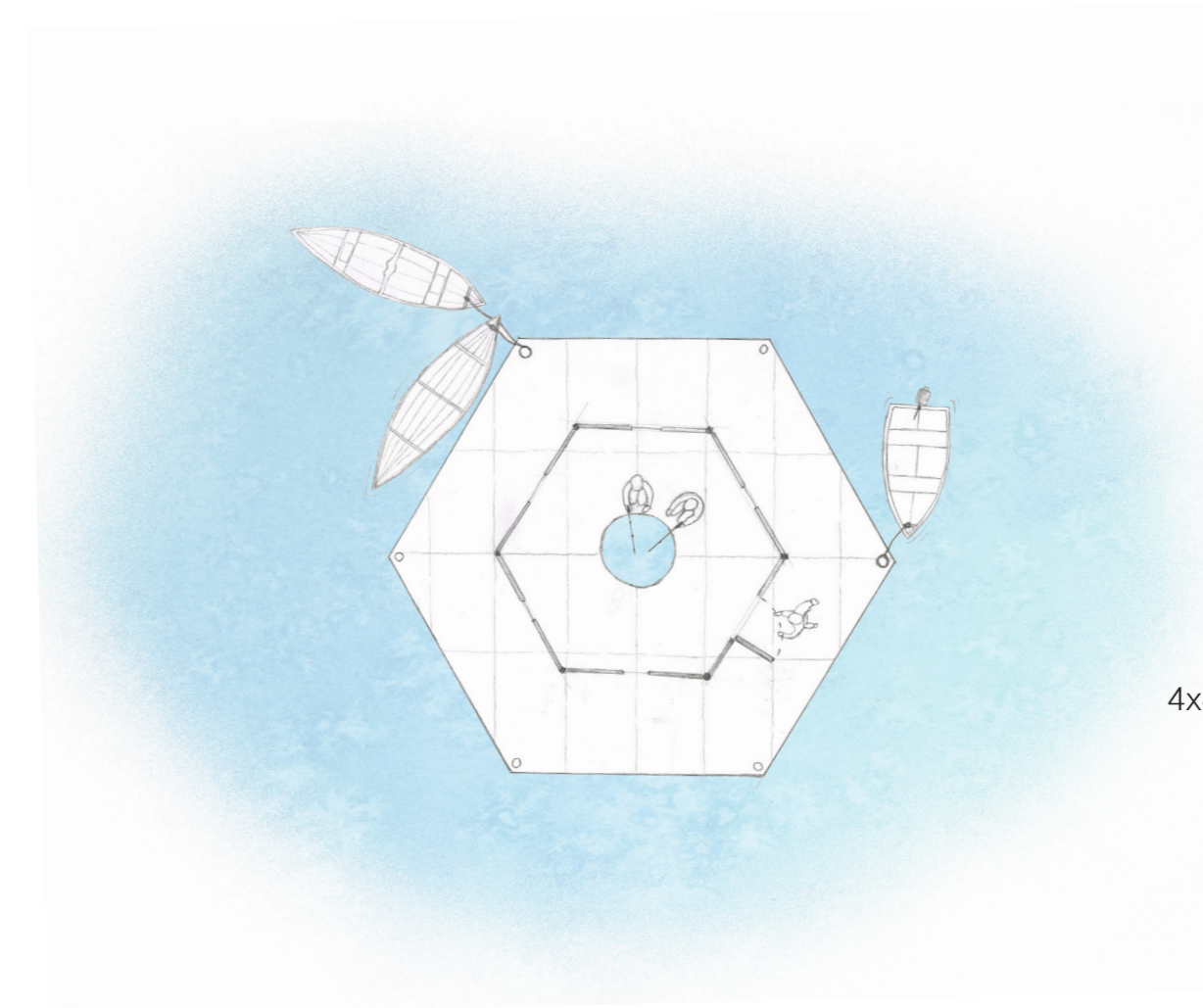
We understand that communities are traditionally oriented towards a coastline. By sitting just offshore - floating in the summer and bedded in the ice of Hudson's Bay in winter - our hope is that the ribs will become part of an ongoing cultural dialog between coastline, settlement, and nomadism.

We imagine these ribs could become: a community meeting place, a space for feasts and food preparation, a hub for parking and maintaining snowmobiles and boats, a community workshop, a place for the storage of shared hunting and fishing equipment, a facility for processing game or skins; however, it will be left for each community to determine its use and complete the structure as required.

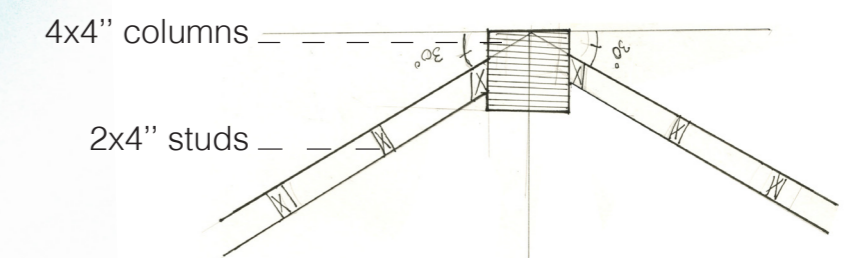


Structure and implementation

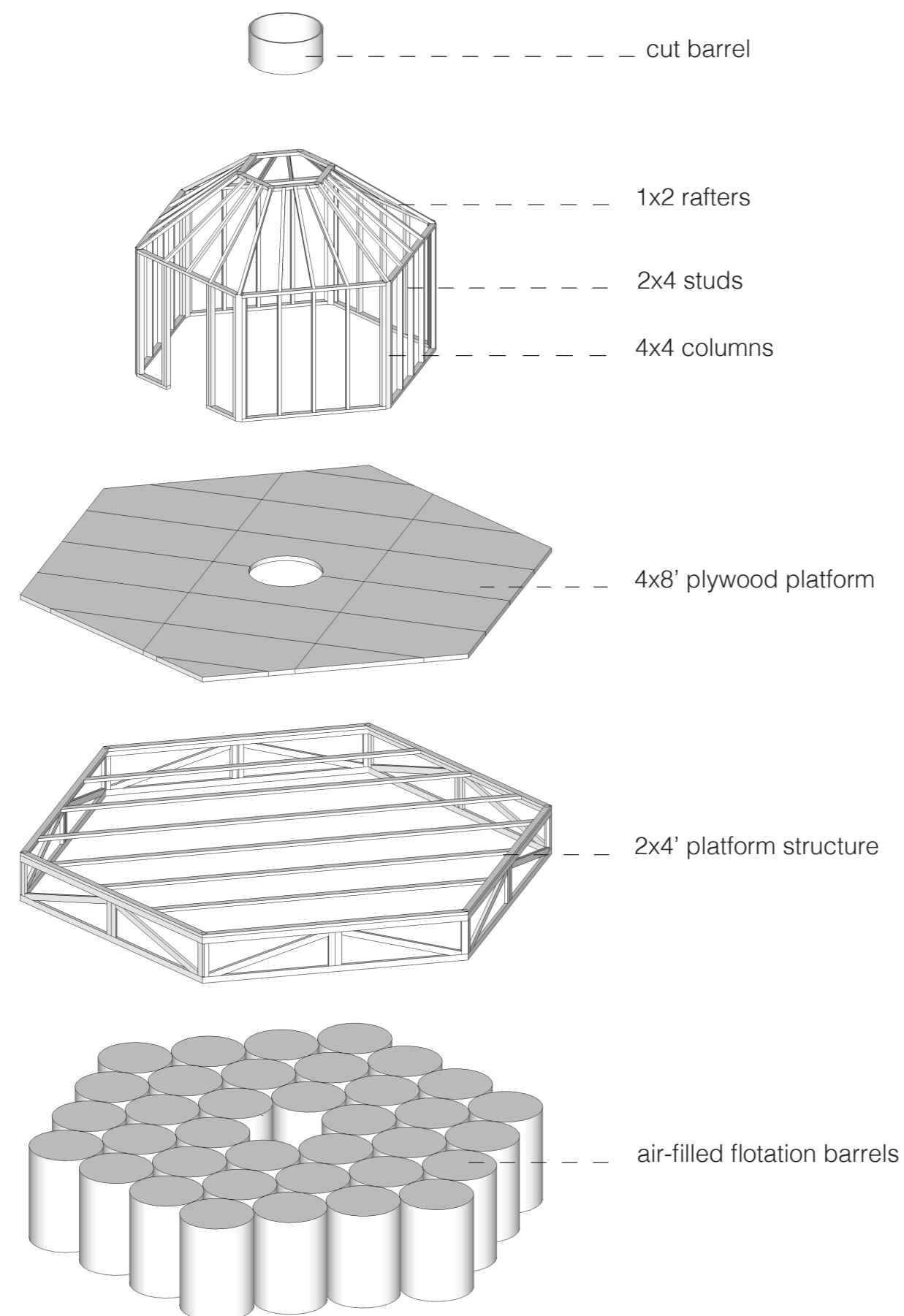
The structure is made of re-purposed steel drums and framing materials: 2x4's, 4x4's and plywood. Our plans not specify any particular cladding so that the different materials available in each local community can be used to maximum effect by local builders. It is possible that the structural skeleton be sheathed in plywood and insulated to create a permanent structure; however, it is also possible that the structure be temporarily sheathed with tarps and canvass when needed, such that the skin can be dismantled and repurposed during fishing and hunting seasons.



crown detail



post detail



section